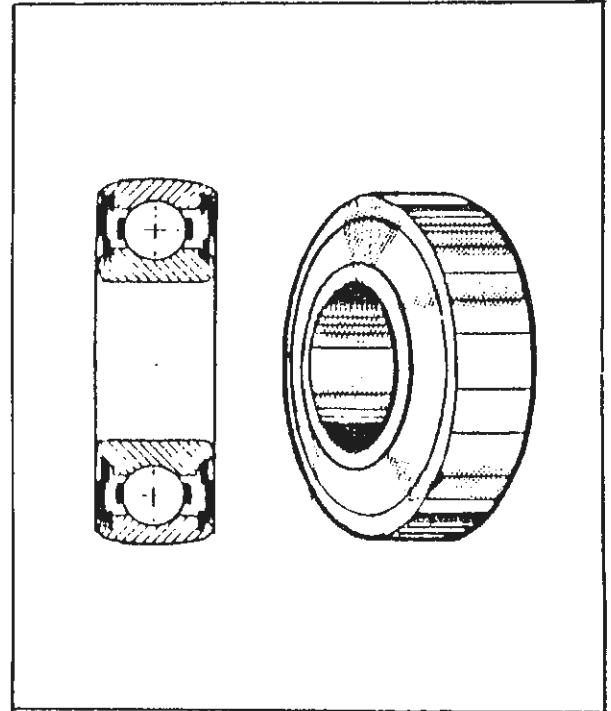


# BEARINGS

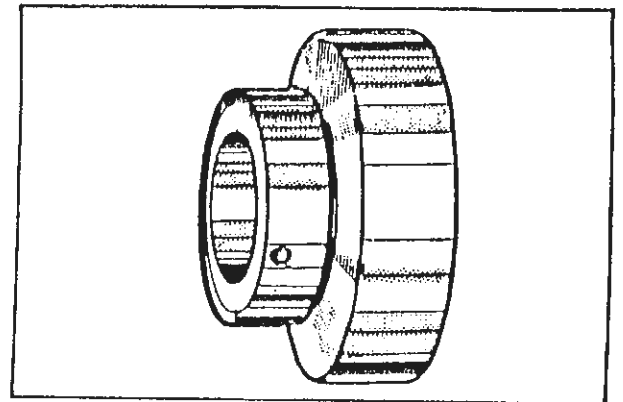
## AGRICULTURAL BEARINGS METRIC BORE — SPHERICAL O.D.

| DIMENSIONS      |     |    | IMPORT # | NTN #    |
|-----------------|-----|----|----------|----------|
| I.D. x O.D. x W |     |    |          |          |
| 15              | 35  | 11 | CS20200U | CS202LLU |
| 17              | 40  | 12 | CS20300U | CS203LLU |
| 20              | 47  | 14 | CS20400U | CS204LLU |
| 25              | 52  | 15 | CS20500U | CS205LLU |
| 30              | 62  | 16 | CS20600U | CS206LLU |
| 35              | 72  | 17 | CS20700U | CS207LLU |
| 40              | 80  | 18 | CS20800U | CS208LLU |
| 45              | 85  | 19 | CS20900U | CS209LLU |
| 50              | 90  | 20 | CS21000U | CS210LLU |
| 25              | 62  | 17 | CS30500U | CS305LLU |
| 30              | 72  | 19 | CS30600U | CS306LLU |
| 35              | 80  | 21 | CS30700U | CS307LLU |
| 40              | 90  | 23 | CS30800U | CS308LLU |
| 45              | 100 | 25 | CS30900U | CS309LLU |
| 50              | 110 | 27 | CS31000U | CS310LLU |



## METRIC BORE — SPHERICAL O.D. ECCENTRIC LOCKING

| DIMENSIONS      |    |    | NIN #  | BEARING NO. |
|-----------------|----|----|--------|-------------|
| I.D. x O.D. x W |    |    |        |             |
| 17              | 40 | 12 | AEL203 | SA 203      |
| 20              | 47 | 14 | AEL204 | SA 204      |
| 25              | 52 | 15 | AEL205 | SA 205      |
| 30              | 62 | 16 | AEL206 | SA 206      |
| 35              | 72 | 17 | AEL207 | SA 207      |
| 40              | 80 | 18 | AEL208 | SA 208      |
| 45              | 85 | 19 | AEL209 | SA 209      |
| 50              | 90 | 20 | AEL210 | SA 210      |

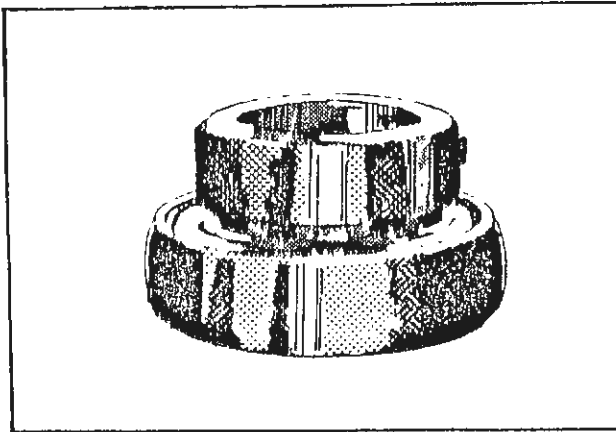


W Dimension is width of outer race of bearing

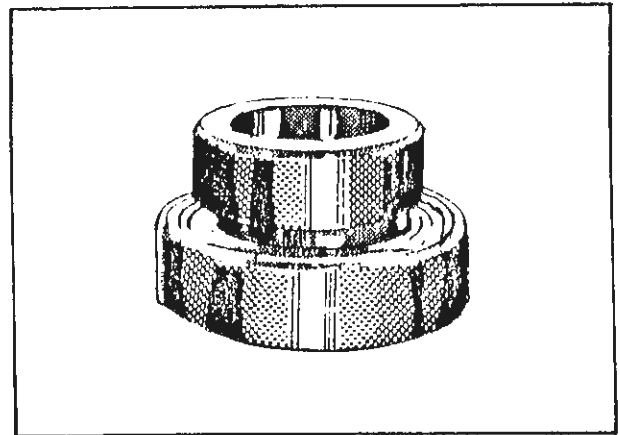
# BEARINGS

## AGRICULTURE BEARINGS INCH-TYPE INSERTS • ECCENTRIC LOCKING COLLARS

### SPHERICAL O.D. (ROUND)



### CYLINDRICAL O.D. (FLAT)

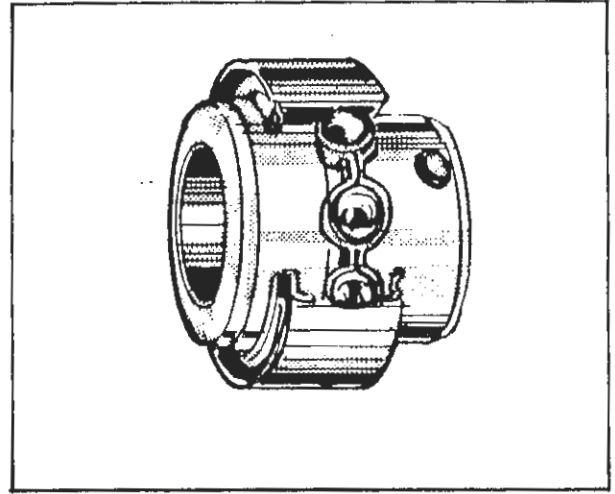
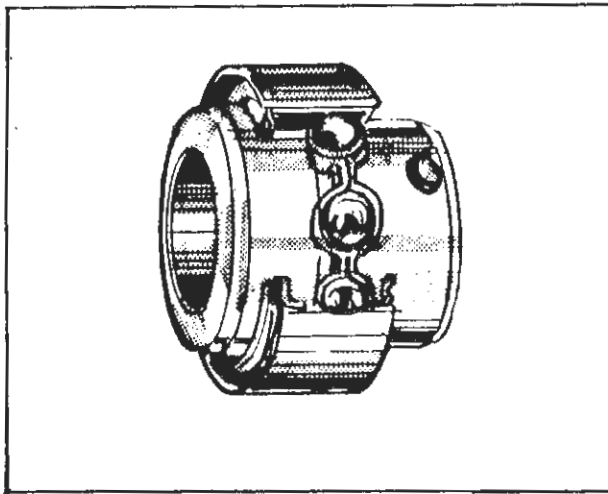


| SHAFT SIZE | OUTSIDE DIMENSION | WIDTH | SPHERICAL O.D. |           | CYLINDRIC O.D. |
|------------|-------------------|-------|----------------|-----------|----------------|
|            |                   |       | NIN #          | BEARING # | BEARING #      |
| 1/2"       | 40mm              | 12mm  | AEL201-008     | SA201-08  | ENR201-08      |
| 5/8"       | 40mm              | 12mm  | AEL202-010     | SA202-10  | ENR202-10      |
| 3/4"       | 47mm              | 14mm  | AEL204-012     | SA204-12  | ENR204-12      |
| 7/8"       | 52mm              | 15mm  | AEL205-014     | SA205-14  | ENR205-14      |
| 15/16"     | 52mm              | 15mm  | AEL205-015     | SA205-15  | ENR205-15      |
| 1"         | 52mm              | 15mm  | AEL205-100     | SA205-16  | ENR205-16      |
| 1-1/16"    | 62mm              | 16mm  | AEL206-101     | SA206-17  | ENR206-17      |
| 1-1/8"     | 62mm              | 16mm  | AEL206-102     | SA206-18  | ENR206-18      |
| 1-3/16"    | 62mm              | 16mm  | AEL206-103     | SA206-19  | ENR206-19      |
| 1-1/4"     | 62mm              | 16mm  | AEL206-104     | SA206-20  | ENR206-20      |
| 1-1/4"     | 72mm              | 17mm  | AEL207-104     | SA207-20  | ENR207-20      |
| 1-5/16"    | 72mm              | 17mm  | AEL207-105     | SA207-21  | ENR207-21      |
| 1-3/8"     | 72mm              | 17mm  | AEL207-106     | SA207-22  | ENR207-22      |
| 1-7/16"    | 72mm              | 17mm  | AEL207-107     | SA207-23  | ENR207-23      |
| 1-1/2"     | 80mm              | 18mm  | AEL208-108     | SA208-24  | ENR208-24      |
| 1-5/8"     | 85mm              | 19mm  | AEL209-110     | SA209-26  | ENR209-26      |
| 1-11/16"   | 85mm              | 19mm  | AEL209-111     | SA209-27  | ENR209-27      |
| 1-3/4"     | 85mm              | 19mm  | AEL209-112     | SA209-28  | ENR209-28      |
| 1-7/8"     | 90mm              | 20mm  | AEL210-114     | SA210-30  | ENR210-30      |
| 1-15/16"   | 90mm              | 20mm  | AEL210-115     | SA210-31  | ENR210-31      |
| 2"         | 90mm              | 20mm  | AEL210-200     | SA210-32  | ENR210-32      |
| 2-3/16"    | 100mm             | 21mm  | AEL211-203     | SA211-35  | —              |

For example: SA205-16 is greasable, SA205-16NG is non-greasable.

# BEARINGS

## UC200 SERIES INSERTS



### STANDARD DUTY - WIDE INNER RING SET SCREW LOCKING - REGREASABLE

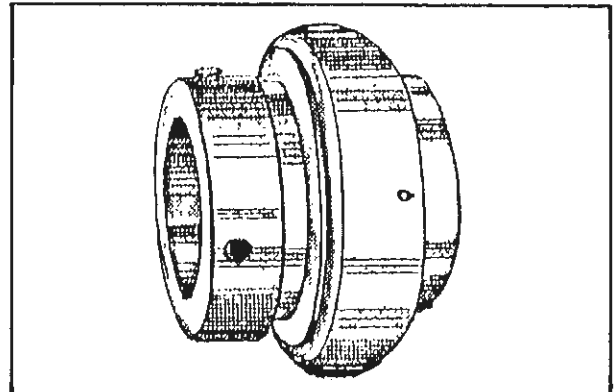
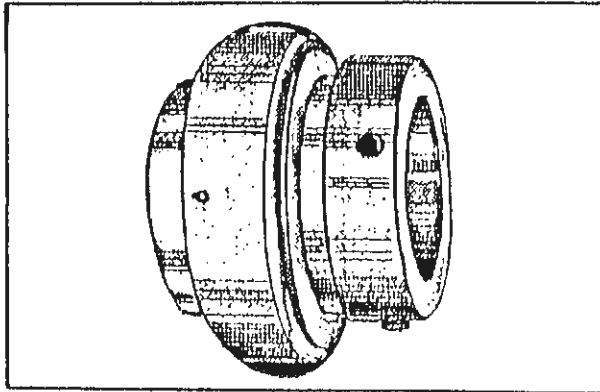
| BEARING NUMBER | SHAFT SIZE | OUTSIDE DIMENSION | WIDTH |
|----------------|------------|-------------------|-------|
| UC201-08       | 1/2"       | 47MM              | 16MM  |
| UC202-10       | 5/8"       | 47MM              | 16MM  |
| UC204-12       | 3/4"       | 47MM              | 16MM  |
| UC205-14       | 7/8"       | 52MM              | 17MM  |
| UC205-15       | 15/16"     | 52MM              | 17MM  |
| UC205-16       | 1"         | 52MM              | 17MM  |
| UC206-18       | 1-1/8"     | 62MM              | 19MM  |
| UC206-19       | 1-3/16"    | 62MM              | 19MM  |
| UC206-20       | 1-1/4"     | 62MM              | 19MM  |
| UC207-22       | 1-3/8"     | 72MM              | 22MM  |
| UC207-23       | 1-7/16"    | 72MM              | 22MM  |
| UC208-24       | 1-1/2"     | 80MM              | 23MM  |
| UC209-26       | 1-5/8"     | 85MM              | 23MM  |
| UC209-27       | 1-11/16"   | 85MM              | 23MM  |
| UC209-28       | 1-3/4"     | 85MM              | 23MM  |
| UC210-30       | 1-7/8"     | 90MM              | 23MM  |
| UC210-31       | 1-15/16"   | 90MM              | 23MM  |
| UC211-32       | 2"         | 110MM             | 26MM  |
| UC211-35       | 2-3/16"    | 110MM             | 26MM  |
| UC212-36       | 2-1/4"     | 120MM             | 28MM  |
| UC212-39       | 2-7/16"    | 120MM             | 28MM  |

**NOTE:** Width dimension shown is the width of the outer race of the bearing.

# BEARINGS

## HEAVY DUTY REGREASABLE INSERTS

### EXTENDED INNER RING — ECCENTRIC LOCKING



| SHAFT SIZE | OUTSIDE DIMENSION | WIDTH | NIN #      | BEARING No. |
|------------|-------------------|-------|------------|-------------|
| 1/2"       | 40MM              | 12MM  | UEL203-008 | NA 203-08   |
| 5/8"       | 40MM              | 12MM  | UEL203-010 | NA 203-10   |
| 3/4"       | 47MM              | 14MM  | UEL204-012 | NA 204-12   |
| 7/8"       | 52MM              | 15MM  | UEL205-014 | NA 205-14   |
| 15/16"     | 52MM              | 15MM  | UEL205-015 | NA 205-15   |
| 1"         | 52MM              | 15MM  | UEL205-100 | NA 205-16   |
| 1-1/8"     | 62MM              | 18MM  | UEL206-102 | NA 206-18   |
| 1-3/16"    | 62MM              | 18MM  | UEL206-103 | NA 206-19   |
| 1-1/4"     | 62MM              | 18MM  | UEL206-104 | NA 206-20   |
| 1-1/4"     | 72MM              | 19MM  | UEL207-104 | NA 207-20   |
| 1-5/16"    | 72MM              | 19MM  | UEL207-105 | NA 207-21   |
| 1-3/8"     | 72MM              | 19MM  | UEL207-106 | NA 207-22   |
| 1-7/16"    | 72MM              | 19MM  | UEL207-107 | NA 207-23   |
| 1-1/2"     | 80MM              | 21MM  | UEL208-108 | NA 208-24   |
| 1-5/8"     | 85MM              | 22MM  | UEL209-110 | NA 209-26   |
| 1-11/16"   | 85MM              | 22MM  | UEL209-111 | NA 209-27   |
| 1-3/4"     | 85MM              | 22MM  | UEL209-112 | NA 209-28   |
| 1-7/8"     | 90MM              | 23MM  | UEL210-114 | NA 210-30   |
| 1-15/16"   | 90MM              | 23MM  | UEL210-115 | NA 210-31   |
| 2"         | 100MM             | 25MM  | UEL211-200 | NA 211-32   |
| 2-1/8"     | 100MM             | 25MM  | UEL211-202 | NA 211-34   |
| 2-3/16"    | 100MM             | 25MM  | UEL211-203 | NA 211-35   |