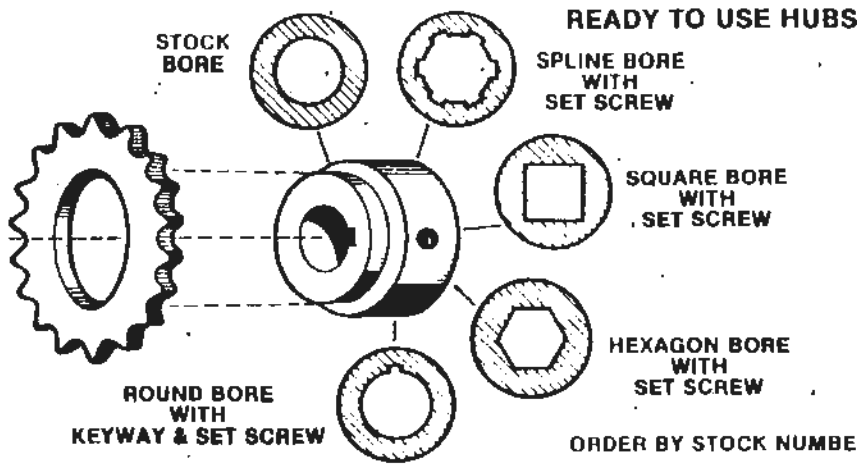
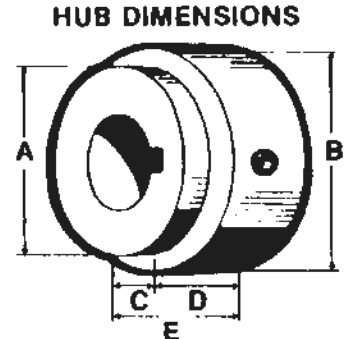


WELDASPROCKET®

HUBS



HUBS MACHINED TO ELIMINATE SPECIAL JIGGING. SIMPLY CLAMP HUB TO SPROCKET AND WELD.



We recommend using Low Hydrogen Electrodes for welding Weldasprocket® parts.

V-SERIES HUBS	W-SERIES HUBS	X-SERIES HUBS	XX-SERIES HUBS	Y-SERIES HUBS
DIMENSIONS	DIMENSIONS	DIMENSIONS	DIMENSIONS	DIMENSIONS
A — 1-1/8	A — 1-5/8	A — 2	A — 2	A — 2-3/4
B — 1-7/16	B — 1-13/16	B — 2-1/2	B — 3	B — 3-3/4
C — 7/16	C — 7/16	C — 7/16	C — 7/16	C — 11/16
D — 3/4	D — 1	D — 1	D — 1-1/16	D — 1-3/16
E — 1-3/16	E — 1-7/16	E — 1-7/16	E — 1-1/2	E — 1-7/8
To Fit V Type Sprockets	To Fit W Type Sprockets	To Fit X Type Sprockets	To Fit X Type Sprockets	To Fit Y Type Sprockets

HUB SERIES	BORE SIZE	APPROX. WT.
ROUND BORE		
V	1/2	.38
V	9/16	.38
V	5/8	.38
V	11/16	.32
V	3/4	.32
V	13/16	.32
V	7/8	.25
W	1/2	.88
W	9/16	.88
W	5/8	.83
W	11/16	.83
W	3/4	.83
W	13/16	.75
W	7/8	.75
W	15/16	.69
W	1	.63
W	1-1/16	.63
W	1-1/8	.57
W	1-3/16	.50
W	1-1/4	.44
X	5/8	1.38
X	11/16	1.63
X	3/4	1.56
X	13/16	1.56
X	7/8	1.50
X	15/16	1.38
X	1	1.38
X	1-1/16	1.38
X	1-1/8	1.38
X	1-3/16	1.25
X	1-1/4	1.25
X	1-5/16	1.19
X	1-3/8	1.13
X	1-7/16	1.13
X	1-1/2	1.06
XX	1	2.13
XX	1-1/8	2.06
XX	1-1/4	1.94

HUB SERIES	BORE SIZE	APPROX. WT.
ROUND BORE (Con't.)		
XX	1-5/16	1.88
XX	1-3/8	1.83
XX	1-7/16	1.75
XX	1-1/2	1.75
XX	1-5/8	1.56
Y	1	4.50
Y	1-1/16	4.38
Y	1-1/8	4.38
Y	1-3/16	4.25
Y	1-1/4	4.19
Y	1-5/16	4.13
Y	1-3/8	4.06
Y	1-7/16	4.00
Y	1-1/2	3.94
Y	1-5/8	3.89
Y	1-11/16	3.83
Y	1-3/4	3.58
Y	1-7/8	3.38
Y	1-15/16	3.25
Y	2	3.13

HUB SERIES	BORE SIZE	APPROX. WT.
SPLINE BORE		
W	7/8 x 13SP	.75
W	1 x 6 SP	.69
W	1 x 10 SP	.69
W	1-1/8 x 6 SP	.63
W	1-1/4 x 6 SP	.56
W	1-1/4 x 14 SP	.56
W	1-3/8 x 6 SP	.44
W	1-3/8 x 10 SP	.44
W	1-3/8 x 21 SP	.44

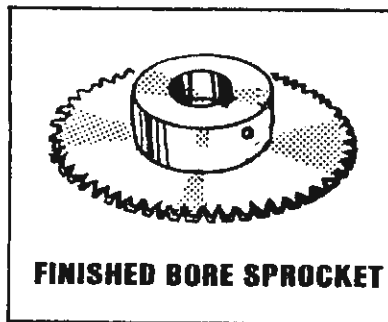
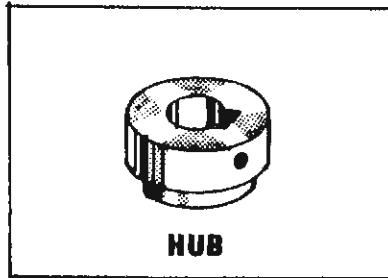
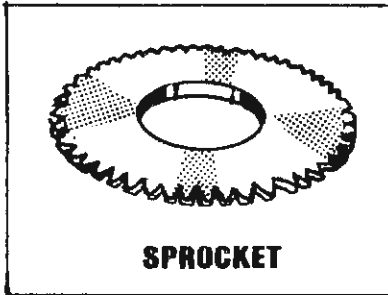
HUB SERIES	BORE SIZE	APPROX. WT.
SPLINE BORE (Con't.)		
X	7/8 x 13 SP	1.13
X	1 x 6 SP	1.06
X	1 x 10 SP	1.06
X	1-1/8 x 6 SP	1.00
X	1-1/4 x 6 SP	1.00
X	1-1/4 x 14 SP	1.00
X	1-3/8 x 6 SP	1.00
X	1-3/8 x 10 SP	1.00
X	1-3/8 x 21 SP	1.00
X	1-1/2 x 10 SP	1.00
X	1-3/4 x 6 SP	1.00
XX	1-3/4 x 6 SP	1.00
Y	1-1/8 x 6 SP	4.25
Y	1-3/8 x 6 SP	4.25
Y	1-3/8 x 21 SP	4.25
Y	1-3/4 x 6 SP	4.25

HUB SERIES	BORE SIZE	APPROX. WT.
SQUARE BORE		
W	3/4	.75
W	7/8	.88
W	1	.88
X	3/4	1.13
X	7/8	1.13
X	15/16	1.13
X	1	1.13
X	1-1/8	1.13
X	1-3/16	1.13
X	1-1/4	1.13

HUB SERIES	BORE SIZE	APPROX. WT.
HEXAGON BORE		
W	7/8	.88
W	1	.88
W	1-1/8	.88
X	7/8	1.13
X	1	1.13
X	1-1/8	1.13

SHEAVES & SPROCKETS

WELD-ON SPROCKETS

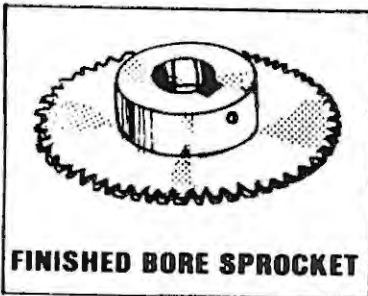
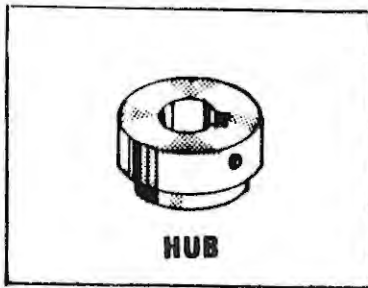
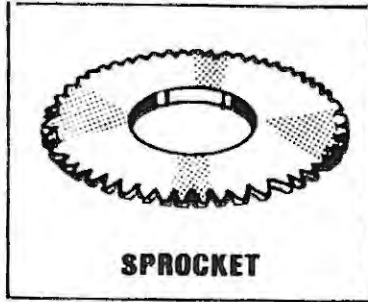


NO. OF TEETH	CHAIN NO. 35		CHAIN NO. 40		CHAIN NO. 50	
	SPROCKET NO.	APPROX. WT.	SPROCKET NO.	APPROX. WT.	SPROCKET NO.	APPROX. WT.
9					50 V 09	.15
10					50 V 10	.19
11			40 V 11	.10	50 V 11	.19
12			40 W 12	.19		
13			40 V 13	.13	50 W 13	.25
14			40 V 14	.19	50 W 14	.32
15	35 V 15	.06	40 V 15	.25	50 W 15	.44
16	35 V 16	.06	40 W 16	.19	50 W 16	.50
17	35 V 17	.06	40 W 17	.25	50 X 17	.50
18	35 V 18	.13	40 W 18	.32	50 X 18	.56
19	35 V 19	.13	40 W 19	.32	50 X 19	.69
20	35 V 20	.13	40 X 20	.32	50 X 20	.75
21	35 V 21	.19	40 X 21	.38	50 X 21	.88
22	35 W 22	.13	40 X 22	.44	50 X 22	1.00
23	35 W 23	.19	40 X 23	.50	50 X 23	1.13
24	35 W 24	.19	40 X 24	.56	50 X 24	1.25
25	35 W 25	.19	40 X 25	.63	50 X 25	1.38
26	35 W 26	.25	40 X 26	.69	50 X 26	1.63
27	35 W 27	.25	40 X 27	.83	50 X 27	1.75
28	35 W 28	.25	40 X 28	.88	50 X 28	1.83
29	35 W 29	.32	40 X 29	.94	50 X 29	2.06
30	35 W 30	.32	40 X 30	1.00	50 X 30	2.19
31					50 X 31	2.38
32	35 W 32	.38	40 X 32	1.13	50 X 32	2.38
33					50 X 33	2.63
34					50 X 34	3.00
35			40 X 35	1.50	50 X 35	3.00
36	35 W 36	.50	40 X 36	1.50	50 X 36	3.25
37					50 X 37	3.38
38	35 W 38	.55	40 X 38	1.83	50 X 38	3.50
39					50 X 39	3.83
40	35 W 40	.63	40 X 40	2.00	50 X 40	3.88
42			40 X 42	2.19	50 X 42	4.50
43					50 X 43	4.69
44					50 X 44	4.94
45	35 W 45	.88	40 X 45	2.56	50 X 45	5.19
48	35 W 48	1.00	40 X 48	3.06	50 X 48	6.13
50			40 X 50	3.60	50 X 50	6.56
54	35 W 54	1.38	40 X 54	3.75	50 X 54	7.69
60	35 W 60	1.56	40 X 60	5.00	50 X 60	9.75
72			40 X 72	7.44		

NOTE: The letter in the middle of the Sprocket NO. (V-W-X-Y) signifies the type of Hub required.

SHEAVES & SPROCKETS

WELD-ON SPROCKETS



NO. OF TEETH	CHAIN NO. 60		CHAIN NO. 80		CHAIN NO. 100	
	SPROCKET NO.	APPROX. WT.	SPROCKET NO.	APPROX. WT.	SPROCKET NO.	APPROX. WT.
9	60 V 09	.32	80 W 09	.56		
10	60 V 10	.38	80 W 10	.75	100 X 10	1.56
11	60 W 11	.38	80 W 11	1.00	100 X 11	2.00
12	60 W 12	.44	80 X 12	1.13	100 X 12	2.63
13	60 W 13	.63	80 X 13	1.38	100 X 13	3.00
14	60 W 14	.75	80 X 14	1.69	100 Y 14	3.13
15	60 X 15	.75	80 X 15	2.06	100 Y 15	3.75
16	60 X 16	.94	80 X 16	2.44	100 Y 16	4.44
17	60 X 17	1.19	80 X 17	2.83	100 Y 17	5.13
18	60 X 18	1.32	80 X 18	3.25	100 Y 18	5.94
19	60 X 19	1.50	80 X 19	3.63	100 Y 19	6.88
20	60 X 20	1.63	80 X 20	4.13	100 Y 20	7.50
21	60 X 21	2.00	80 X 21	4.63	100 Y 21	8.69
22	60 X 22	2.25	80 X 22	5.19	100 Y 22	9.38
23	60 X 23	2.50	80 X 23	5.63	100 Y 23	10.6
24	60 X 24	2.75	80 X 24	6.13	100 Y 24	11.6
25	60 X 25	2.95	80 X 25	6.88	100 Y 25	12.7
26	60 X 26	3.25	80 X 26	7.25	100 Y 26	14.1
27	60 X 27	3.56	80 X 27	8.00		
28	60 X 28	3.75	80 X 28	8.63	100 Y 28	17.0
29	60 X 29	4.44	80 X 29	9.25		
30	60 X 30	4.50	80 X 30	10.2	100 Y 30	19.3
31	60 X 31	4.83				
32	60 X 32	5.13	80 X 32	11.5	100 Y 32	21.3
33	60 X 33	5.44	80 X 33	12.3		
34	60 X 34	5.75	80 X 34	13.0		
35	60 X 35	6.19	80 X 35	14.0	100 Y 35	26.1
36	60 X 36	6.50	80 X 36	14.8	100 Y 36	27.8
38	60 X 38	7.32	80 X 38	17.0		
39	60 X 39	7.63				
40	60 X 40	8.25	80 X 40	18.1		
42	60 X 42	9.13	80 X 42	21.0		
45	60 X 45	10.6	80 X 45	25.4		
48	60 X 48	12.2	80 X 48	27.4		
50	60 X 50	13.1				
54	60 X 54	15.6	80 X 54	35.6		
60	60 X 60	18.8	80 X 60	44.6		

NOTE: The letter in the middle of the Sprocket NO. (V-W-X-Y) signifies the type of Hub required.